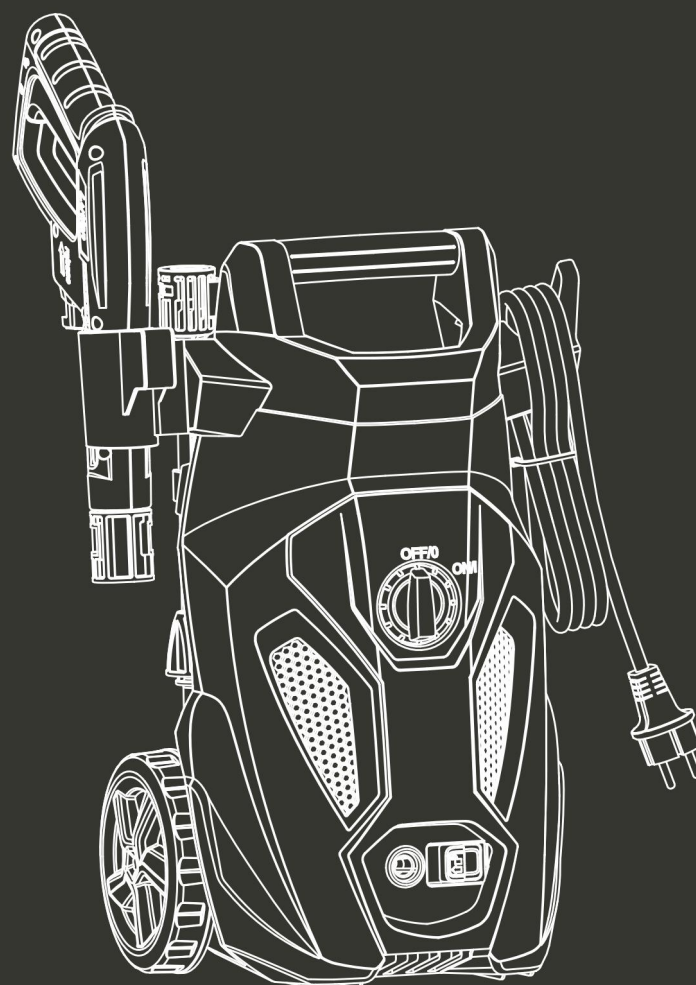


**HYUNDAI**  
POWER PRODUCTS

# ELECTRIC HIGH PRESSURE WASHER

## HPW130

**ORIGINAL INSTRUCTIONS**



**WARNING:** Read thoroughly the instruction manual before using.

# CONTENTS

1. SAFETY INSTRUCTIONS.....	3
2. YOUR PRODUCT.....	10
3. ASSEMBLY.....	11
4. OPERATION.....	14
5. USAGE.....	15
6. MAINTENANCE AND STORAGE .....	17
7. TROUBLESHOOTING.....	19
8. DISPOSAL.....	19
9. DECLARATION OF CONFORMITY.....	20
10. WARRANTY.....	21
11. PRODUCT FAILURE.....	22
12. WARRANTY EXCLUSIONS.....	23

# 1. SAFETY INSTRUCTIONS

- Use this unit as described in this manual. Any mishandling and any use contrary to instructions for use shall in no case be the responsibility of the manufacturer.
- Failure to observe the safety and operating instructions may result in a risk of electric shock, fire and / or personal injury.
- If you are giving this unit to another person, please also provide this manual.
- Do not use attachments other than those recommended by the manufacturer; they can damage the unit and / or cause injury.
- This machine should not be used by children.
- Children should be supervised to ensure that they do not play with the appliance.
- This machine can be used by people with reduced physical, sensory or mental capabilities or lack of experience and knowledge if they have been given supervision or instruction concerning use of the machine in a safe way and understand the hazards involved.
- Children shall not play with the appliance.
- If the supply cord is damaged, it must be replaced by the manufacturer, its service agent or similarly qualified persons in order to avoid a hazard.
- Before any connection, check:
  - The appliance, power cable and accessories are

not damaged. In this case, do not use the appliance and take it to your dealer for inspection and repair.

■ The voltage indicated on the rating plate of the appliance corresponds to that of your electrical installation.

- Do not disassemble the device yourself. Any disassembly, repair or inspection should be carried out exclusively by a qualified person.
- Do not touch the plug with wet hands. Do not allow the plug to fall into the water.
- Do not walk on the power cord, do not exert excessive pressure, or pull on the cord to avoid damage.
- **WARNING:** This machine is intended for use with a cleaning agent supplied or recommended by the manufacturer. Use of other cleaning or chemical agents may affect the safety of the machine.
- **WARNING:** High pressure jets can be dangerous if misused. The jets should not be directed to people, electrical equipment or the machine itself.
- **WARNING:** Do not use the machine near people unless they wear protective clothing.
- Do not direct the jet against yourself or others to clean clothes or footwear.
- **WARNING:** Risk of explosion. Do not spray flammable liquids.
- **WARNING:** High pressure cleaners should not be

used by children or untrained persons.

- **WARNING:** Pipes, fittings and connectors are important for the safety of the machine. Only use hoses, fittings and connectors recommended by the manufacturer.
- **WARNING:** To ensure the safety of the machine, use only the original manufacturer's parts or approved by the manufacturer.
- **WARNING:** Water that has flowed through the flow shutters is considered to be unsafe.
- **WARNING:** The machine must be disconnected from the power supply during cleaning or maintenance and when replacing parts or converting the machine to other functions by removing the power source plug.
- **WARNING:** Do not operate the machine if the power cord or any important parts are damaged, such as safety devices, high pressure hoses or the trigger gun.
- **WARNING:** If an extension cord is used, the plug and cable must be watertight.
- **WARNING:** Inadequate extension cords can be dangerous. If an extension cord is used, it shall be suitable for outdoor use, and the connection has to be kept dry and off the ground. It is recommended that this is accomplished by means of a cord reel which keeps the socket at least 60 mm above the ground.

- **WARNING:** Make sure there are no exhaust emissions near the air intakes.
- Children, animals and persons not participating in the use of the machine must remain at a minimum distance of 10 meters from the sprayer.
- The high pressure hose must remain connected to the compressor as long as the system is under pressure.
- Do not use corrosive or flammable liquids in the machine.
- The appliance must be connected to a water supply using a new set of hoses; the old pipe set must not be reused.
- Make sure that there are no exhaust emissions near the air inlets.
- When using the machine, wear protective equipment including safety goggles, safety shoes, safety gloves, safety helmet with visor and double-insulated hearing protection.
- In order to move the unit easily, bend the lance.
- Make sure the unit is turned off and unplugged before transporting the unit.
- The connection to the power supply must be made by a qualified electrician in accordance with IEC60364-1. It is recommended that the power supply of this machine includes a residual current device that interrupts power if the earth leakage exceeds 30 mA for 30 ms or a device that will

homologate the earth circuit.

- Before assembling, dismantling, repairing, transporting, servicing and storing, please
- check if the appliance is disconnected from the power supply.
- Handle the unit with care, do not drop it.
- Do not use the machine in extreme weather conditions, when it is very cold. Do not use the machine with ice water.
- Use the tool in a stable and plane location.
- The inlet hose can be connected to the water mains with a maximum pressure of 10 bars.
- The appliance must not be connected to potable water supply.
- CAUTION: In order to avoid danger due to untimely resetting of the thermal cut-out, this device must not be powered by an external switch, such as a timer, or connected to a circuit that is regularly switched on energized and de-energized by the electricity supplier.
- When transporting the machine, take note of its weight. Do not overestimate your efforts and get help if necessary.
- The machine must be transported from one point to another and disconnected. Always use the handle to push the machine.
- Use the handle to lift the machine.
- Improper transport of the machine may result

accidents and injuries.

- During use, transportation, assembly, dismantling when out of service, testing or foreseeable breakdowns, the tool must keep always stand up.
- Do not use the tool where dangerous situations or accidents may occur. Do not use it indoor, in places where are exhausted gases, etc.
- In case of accidents or breakdowns, stop to use the tool, switch off it and unplug it. Check the conditions of the tool and bring it to a service agent for inspection and reparation if necessary.
- When opening the trigger gun, pay attention to the kickback force. The power of the gun can cause a kickback and can produce a loss of control of the gun and create accidents and injuries. Hold the gun firmly, and with both hands if possible.
- **WARNING** Always switch off the mains disconnecting switch when leaving the machine unattended.
- Means for disconnection must be incorporated in the fixed wiring in accordance with the wiring rules.




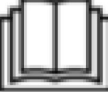


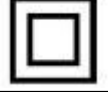


## **RESIDUAL RISKS**

- Even if you are operating this product in accordance with all the safety requirements, potential risks of injury and damage remain. The following dangers can arise in connection with the structure and design of this product:
- Health defects resulting from vibration emission if the product is being used over long periods of time or



- not adequately managed and properly maintained;
- Danger of injury and property damage caused by flying objects;
- Injuries and damage to property due to broken accessories or the sudden impact of hidden objects during use.

### Symbol

	<b>WARNING!</b> The jet should not be directed to persons, animals, live devices or the device itself.
	This machine is not suitable for connection to potable water supply.
	Guaranteed sound power level.
	Read the instruction manual.
	Indicates a potential personal injury hazard.
	In accordance with European directives applicable to this product.
	Double-insulated construction.
	Waste electrical products should not be disposed of with household waste, please recycle where facilities exist. Check with your local authority or retailer for recycling advice.
	Recycle unwanted materials instead of disposing of them as waste. All tools, hoses and packaging should be sorted, taken to the local recycling centre and disposed of in an environmentally safe way.

### Intended use

Your PRESSURE CLEANER can perform a myriad of tasks in the house and in the garden. It effectively cleans a wide variety of surfaces.

Your PRESSURE CLEANER is designed to operate from a cold water supply. It operates efficiently with water whose temperature is between 5 and 50 degrees.

Your PRESSURE CLEANER has been designed for outdoor use only on materials such as stone, wood and plastics. Please check, before use, whether materials can be cleaned with your sprayer; the manufacturer cannot be held responsible for any damage resulting from improper use.


The main applications of this product are household cleaning tasks such as:

- Voices, motorcycles, bicycles;
- Patios, grates, garden walls, pathways, garages and facades of houses;
- To remove algae and mosses from roofs, brick walls and gutters;

- For cleaning of gardening tools and machinery, furniture and grills;
- For hygiene and maintenance of kennels, stables, etc. And their surroundings; It is especially useful for cleaning muddy sidings.

The sprayer alone is capable of performing most of the garden cleaning tasks or on buildings. The detergent is useful for cleaning vehicles and other painted surfaces.

**SERVICING OF A DOUBLE-INSULATED APPLIANCE**

In a double-insulated product, two systems of insulation are provided instead of grounding. No means of grounding is provided on a double-insulated product, nor should a means for grounding be added to the product. Servicing a double-insulated product requires extreme care and knowledge of the system, and should be done only by qualified service personnel. Replacement parts for a double-insulated product must be identical to the parts they replace. A double-insulated product is marked with the words “DOUBLE INSULATION” or “DOUBLE INSULATED”. This symbol  may also be marked on the product.

**USE OF EXTENSION CORDS**

Use of an extension cord with this product is NOT RECOMMENDED. If you must use an extension cord, use only extension cords that are intended for outdoor use. These cords are identified by a marking “ACCEPTABLE FOR USE WITH OUTDOOR APPLIANCES, STORE INDOORS WHILE NOT IN USE.” Use only extension cords having an electrical rating not less than the rating of the product. Examine extension cord before use. DO NOT USE DAMAGED EXTENSION CORDS! Do not pull on cord to disconnect from receptacle, always disconnect by pulling on plug. Keep cord away from heat and sharp edges. Always disconnect the extension cord from the receptacle before disconnecting the product from the extension cord.

**WARNING!**To reduce the risk of electrocution, keep all connections dry and off the ground. Do not touch the plug with wet hands.

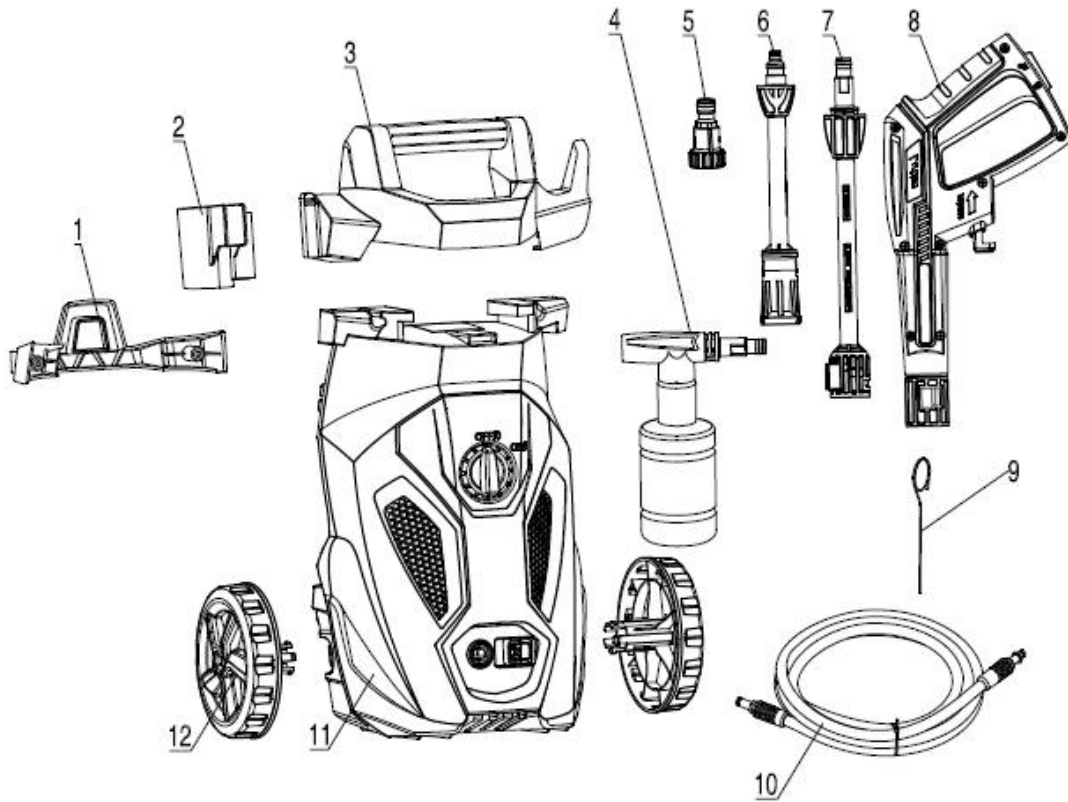
**PROPER USE OF THE PRESSURE CLEANER**

**WARNING! THIS UNIT IS INTENDED FOR USE WITH COLD WATER ONLY! DO NOT USE HOT WATER IN THIS PRESSURE CLEANER.**

1. Operate the pressure cleaner at no more than the fluid pressure rated for the pressure cleaner. Never run the pressure cleaner without a water supply. Running the unit without a water supply will cause irreparable damage to the unit.
2. Make sure that the water supply you use for the pressure cleaner is not dirty, sandy, and does not hold any corrosive chemical products. Using a dirty water supply will compromise the long life of the pressure cleaner.
3. CAUTION - The pressure cleaner can be used for a variety of applications including washing cars, boats, patios, decks, garages etc. where high pressure is necessary to remove dirt and debris. <b>High-pressure water flow can damage the work surface if not used properly!</b> See the section titled “Operating Instructions” for more details. Always test the spray in an open area first.
4. NEVER move the unit by pulling on the high pressure hose. Use the handle provided on the top of the unit.
5. Always hold the high pressure gun and wand with two hands. Keep one hand on the gun/trigger, while supporting the wand with the other hand (see diagram).
6. When dispensing detergent, the pressure cleaner applies detergent to the cleaning area at low pressure only. Once the detergent has been applied, spray the detergent off of the work area by using the adjustable nozzle.

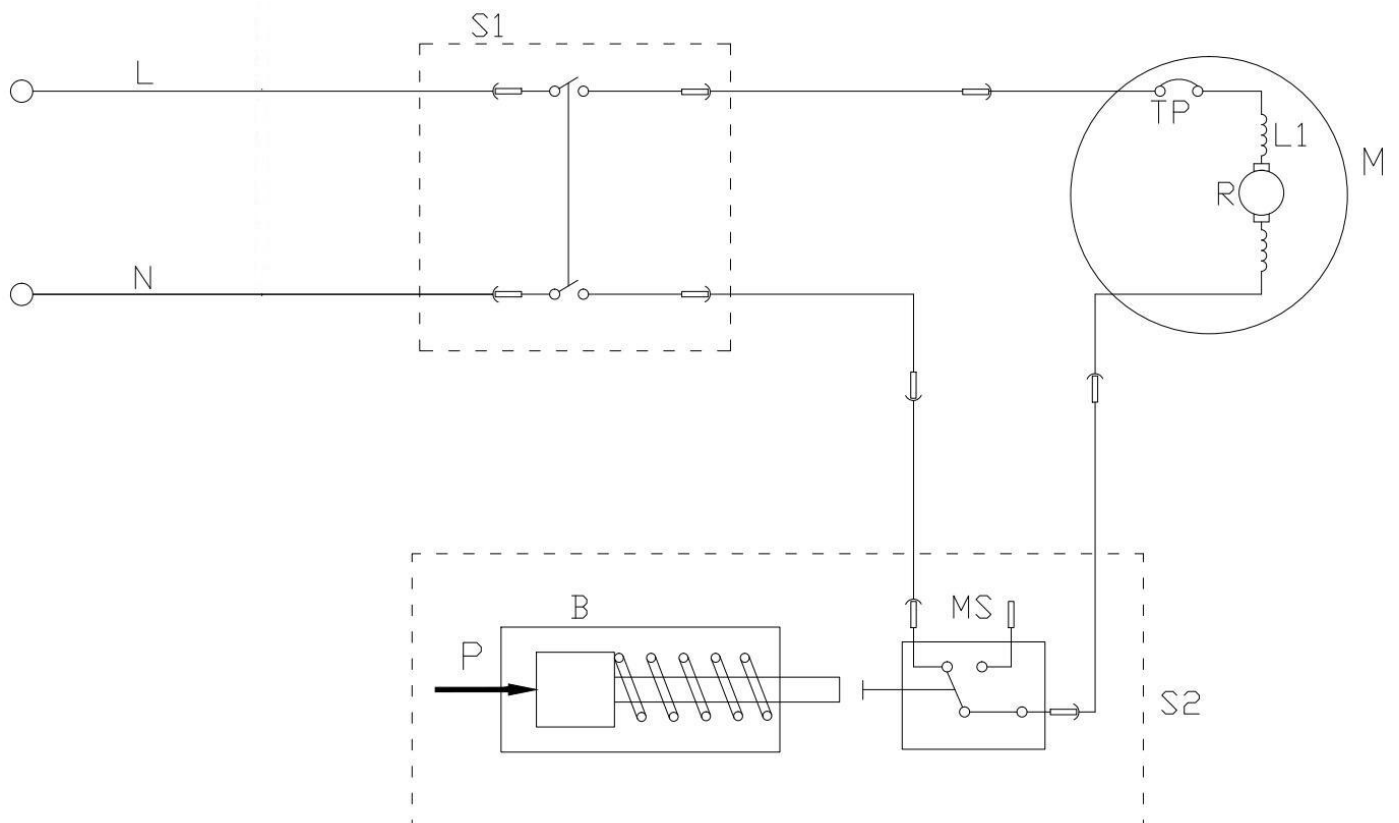
## 2. YOUR PRODUCT

### a. Description



1	Accessories holder	5	Water inlet connector	9	Cleaning pin
2	Gun holder	6	Adjustable nozzle	10	High pressure hose
3	Handle	7	Extension Wand	11	Power washer unit
4	Detergent Bottle (Not included)	8	Gun	12	Wheel

### b. Electrical circuit



S1	Main switch	M	Universal Motor	L1	Winding
S2	Pressure switch	TP	Thermal protector	B	Bypass valve
MS	Micro-switch	R	Rotor	P	Pressure

### c. TECHNICAL DATA

Model	HPW130
Rated voltage	220-240V~ 50/60Hz
Rated power	1600W
Rated pressure	9 MPa
Max. pressure	13 MPa
Rated flow	6 L/min
Max.flow	7 L/min
Max. water inlet pressure	1.2MPa
Max. water inlet temperature	50°C
Sound pressure level: LpA	74.6 dB(A), K=3dB (A)
Sound power level:LwA	88.3 dB(A), K=3dB (A)
Guaranteed sound power level	89 dB(A)
Vibration value	2.089m/s <sup>2</sup>
Weight	6.11Kg

## 3. ASSEMBLY

### Unpacking the Carton

After opening the carton, please remove all packing filler and check them all components that are included or not.

Due to transportation and packaging, some of the accessories may be supplied disassembled. Please follow the assembly instructions.

The machine is always with handle to transport.

### Step 1

A, Insert the extension wand(7) into the gun(8). Push and turn the extension wand(7) clockwise onto the gun(8) until hand tight to lock it in place. When the pieces are joined properly, you cannot separate the two components by pulling straight out on the gun(8).

Insert the detergent nozzle in the same manner, depending upon which attachment is best suited to the surface you are cleaning. Only one attachment can be inserted into the gun at a time. All attachments must be inserted into the gun for proper use.(Fig.1)

B, Insert the spray adjustable nozzle(6) into the extension wand(7), as quick-connect type , you just need push it onto extension wand(7) directly and powerful until hand tight to lock it in place. When the pieces are joined properly, you cannot separate the two components by pulling straight out on the extension wand(8). Insert the **Turbo nozzle** in the same manner, depending upon which attachment is best suited to the surface you are cleaning. Only one attachment can be inserted into the.extension wand(7) at a time. All attachments must be inserted into the extension wand(7) for proper use. (Fig.2)

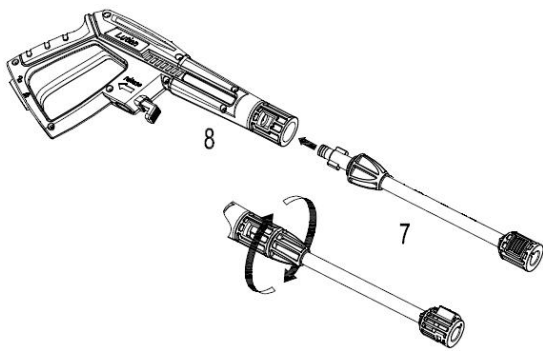


Fig.1

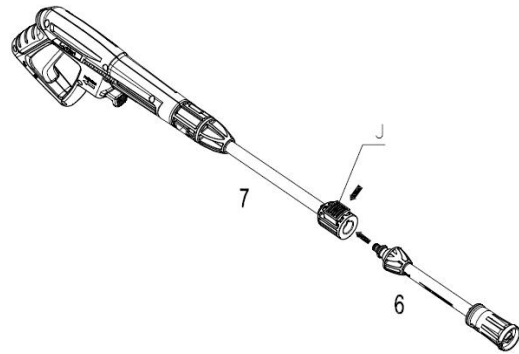
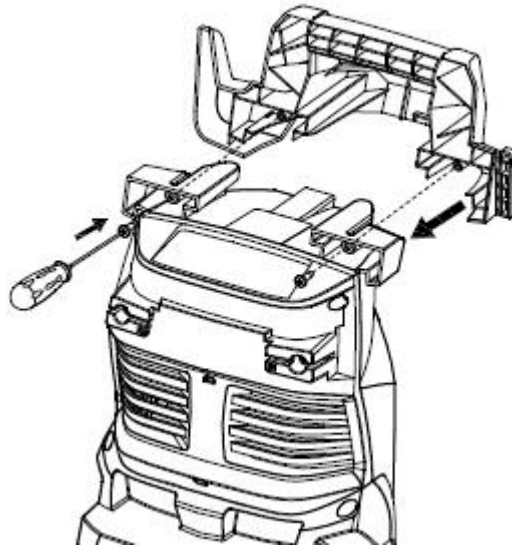


Fig.2

### Step 2

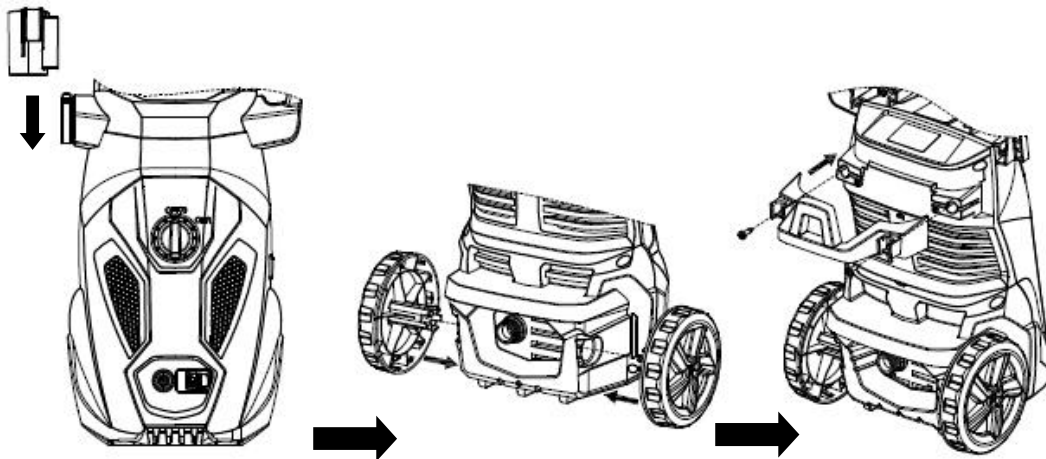
Screw the handle tight to the main body as below fig. The screws will be packed together with the manual, pls kindly check and find it when unpacked.



### Step 3

Install gun holder,

For model B/C: Install wheel and screw the accessories holder to the main body as below fig, the screws will be packed together with the manual, pls kindly check and find it when unpacked.



### Step 4

Attach the high pressure hose to the pressure cleaner water outlet. Insert and quick-connect it tight to avoid leakage. When the pieces are joined properly, you cannot separate the two components by pulling straight out from the water outlet. Push the "Button" according to the direction of arrow, then you can pull out the high pressure hose. (Fig.3)

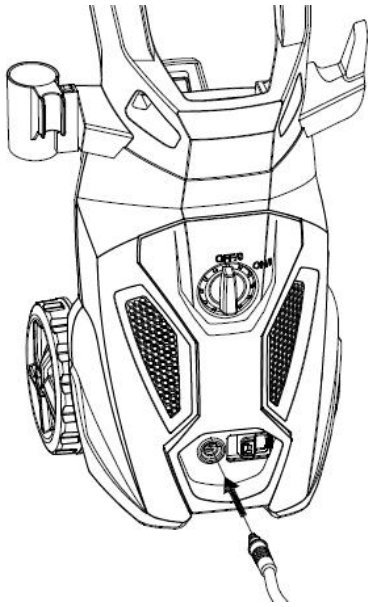


Fig.3

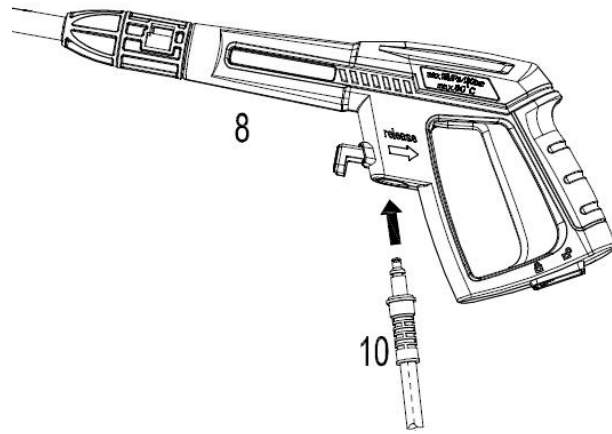


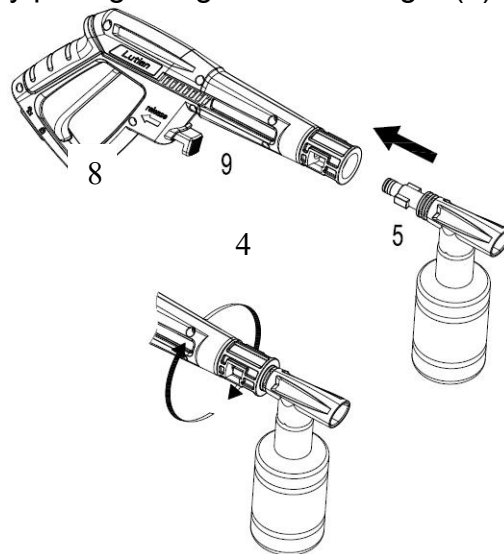
Fig.4

### Step 5

Attach the high pressure hose(10)to the gun(8). Insert and quick-connect it tight to avoid leakage.When the pieces are joined properly, you cannot separate the two components by pulling straight out from the gun(8) Push the hose lock button, then you can pull out high pressure hose. (Fig.4)

### Step 6 ( the detergent bottle not included in package)

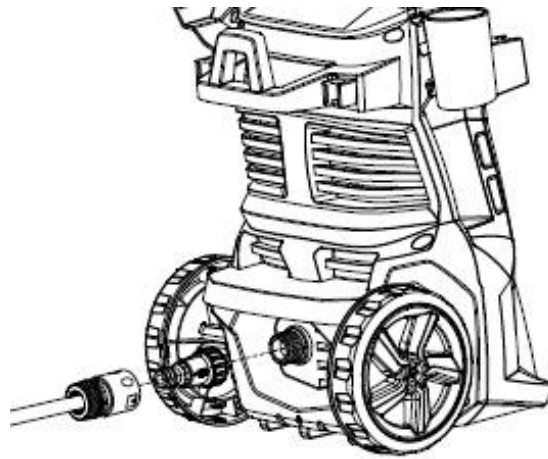
Insert the detergent bottle(4) into the gun(8). Push and turn the detergent nozzle(4) clockwise onto the gun(8) until hand tight to lock it in place. When the pieces are joined properly, you cannot separate the two components by pulling straight out on the gun(8).



### Step 7

Attach the hose connector to pressure washer. Before attaching the connector to the male fitting, remove the plastic cap, which is inserted onto the male fitting on the pressure washer before shipping. This plastic cap can be discarded once removed. After both components have been installed, attach the garden hose with connector screw on the pressure washer. Connect the garden hose to the waterspout.

**WARNING:** Garden hose can not be damaged and leak, Inner diameter less than 1/2 "inches ,the length can not be greater than 8m.



## 4. OPERATION

**WARNING:** THIS UNIT IS INTENDED TO BE USED WITH COLD WATER ONLY! DO NOT USE HOT WATER IN THIS PRESSURE CLEANER!

**WARNING:** High pressure hose must not loop.

 **Warning-danger!** During operation the appliance must be positioned on a firm, stable surface.

### Starting Up

**Warning:** ALWAYS turn off the unit's motor BEFORE turning off the unit's water supply. Serious damage could occur to the motor if the unit is run without water.

1. Turn on the water supply tap fully.
2. Unlock trigger (by pressing the safety button first and then actuate the trigger) for a few second ; let the water flow out from the nozzle.
3. Check if water leaks from joints. If water leaks, please reconnect the water hose, the spray gun or the lance to make sure each accessory are connected perfectly.
4. Connect to power supply.
5. Set the power switch at the position "I".(Fig.5)

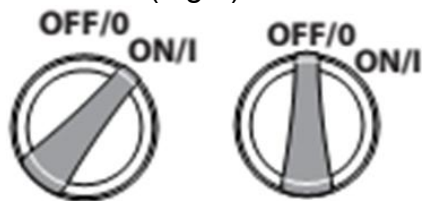


Fig. 5

6. Actuate the trigger and start the washer.

**WARNING!** Check that the supply voltage and frequency correspond to those specified on the appliance data plate. The appliance should only be connected to a mains power supply via a security breaker (Max.30mA) to cut off the electricity supply in the instance of a short circuit.

### Stopping the washer

**Warning:** ALWAYS turn off the unit's motor BEFORE turning off the unit's water supply. Serious damage could occur to the motor if the unit is run without water.

1. Release the trigger, the motor will stop operation.
2. Set the switch at the position "O".(Fig.5)
3. Disconnect the plug from the socket.

**WARNING!** Failure to follow the above instructions may cause damage to the machine.

### Changing accessories

1. Release the trigger.

2. Turn off the power switch (the position "O").(Fig.5)
3. Disassemble the original adjustable Nozzle.
4. Mount the adjustable Nozzle and Detergent Bottle.

**CAUTION:** Never disconnect the high -pressure discharge hose from the machine while the system is still pressurized . To depressurize the unit, turn off the motor,turn off the water supply and squeeze the trigger 2-3 times.

## 5. USAGE

### 1. Safety valve and/or pressure limiting valve

**⚠Warning-danger! Do not tamper with or adjust the safety valve setting.**

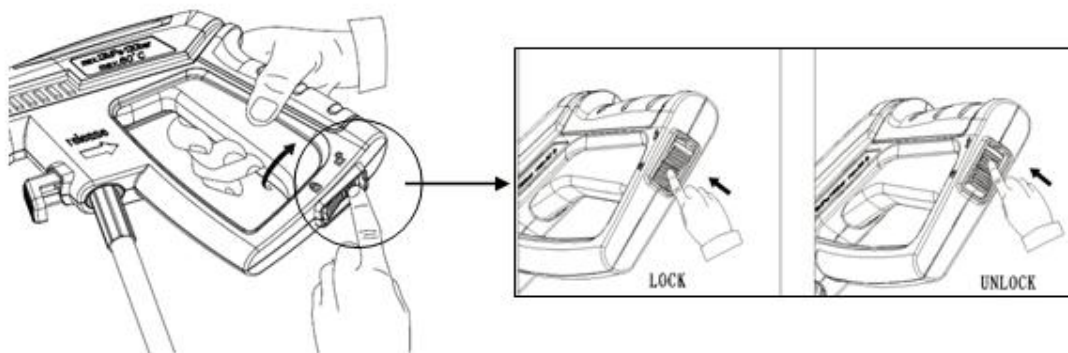
The safety valve is also a pressure limiting valve.When the gun trigger is released,the valve opens , pressure switch action, the machine automatically shut down.。

If the gun nozzle is blocked, will cause the machine pressure rises, the safety valve opens, the pressure switch action, the machine automatically shut down, you can refer to the following point 7 to use a needle to clean the nozzle.

### 2.The safety button of gun

The operator need press the unlock button and then actuate the trigger to do the spray operation.When you release the trigger, it can return to the off position automatically.

When not using the pressure cleaner, press the lock button to keep from accidentally engaging the high pressure spray.



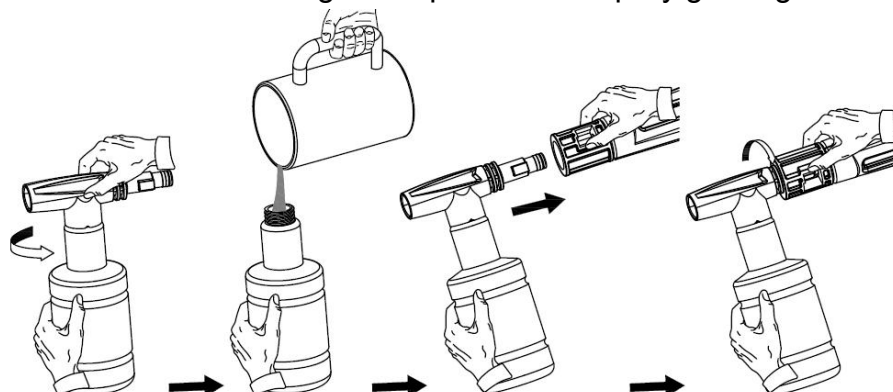
### 3. Hold the gun

Whenever you use the high pressure washer , we suggest you grip the in the right position,with one hand on the handle and the other on the adjustable spray nozzle.

### 4. Using detergent (if you have the detergent bottle)

Add detergent to the tank. Assemble the tank with detergent dispenser.

Insert the end of detergent dispenser with plastic tab into the opening of spray gun,push and turn in the clockwise direction to lock the detergent dispenser and spray gun together.

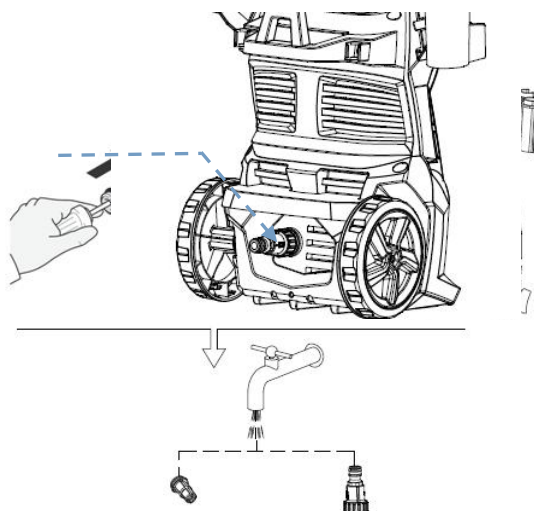




The use of detergents can dramatically reduce cleaning time and assist in the removal of difficult stains. Some detergents have been customized for pressure washer use on specific cleaning tasks. These detergents are approximately as thick as water. The use of thicker detergents, such as dish soap, will clog the chemical injection system and prevent the application of the detergent. The cleaning power of detergents comes from applying them to a surface and giving the chemicals time to break down the dirt and grime. Detergents work best when applied at low pressure.

### 5. Water inlet screen

The water inlet filter must be inspected regularly, so as to avoid blockage and restriction in the water supply to the pump.



### 6. Adjustable Spray Nozzle

The adjustable nozzle will allow you to use any variety of spray patterns from a full fan spray (diagram 1) to a direct stream spray (diagram 2). When using the pressure cleaner to clean wood decks, siding, vehicles etc., always start using the fan spray and begin spraying from a minimum 36" away to avoid damaging the surface of the material you are cleaning. Always begin by spraying in a testing area free and clear of people and objects. (Fig.6)

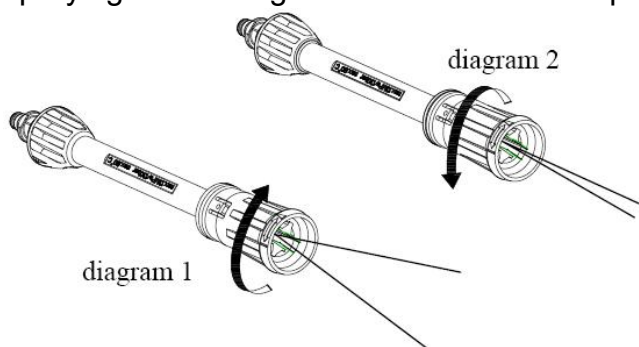


Fig.6



Fig.7

**Warning:** High pressure jets can be dangerous if subject to misuse. The jet must not be directed at persons, live electrical equipment or the appliance itself.

**Do not direct the jet against yourself or others in order to clean clothes or foot-wear.**

### 7. Cleaning pin instruction

Using included nozzle cleaner tool, insert wire into the nozzle hole and move back and forth until debris is dislodged. (Fig.7)

## 6. MAINTENANCE AND STORAGE

### Shutting Down the Pressure Cleaner

**NOTE: WHEN FINISHED USING THE PRESSURE CLEANER, FOLLOW THESE STEPS TO SHUT DOWN THE UNIT:**

- Turn the pressure cleaner to the OFF position, Unplug the power cord from the wall outlet.
- Turn off the water supply.
- Before disconnecting high-pressure hose connection, point the gun in a safe direction and discharge the high-pressure water.
- Disconnect high-pressure hose from the pressure cleaner and gun.
- Disconnect garden hose from the pressure cleaner.
- Remove quick coupler fitting from garden hose and attach to the nipple portion of the fitting installed on the pressure cleaner for storage.
- Remove excess water from the pump by tipping the unit on both sides to drain any remaining water from inlet and outlet fittings.
- Remove Water Intake Filter and flush with water to remove dirt or debris. Return filter once cleaned.
- Drain detergent reservoir and flush with running water.
- Wipe away any remaining water on all parts and fittings.
- Engage the gun safety lock.
- Store the pressure cleaner, parts, and accessories in an area with a temperature above 0°C (32°F).

### Winterizing and Long-Term Storage

**NOTE: FOLLOW ALLOF THE ABOVE SHUT-DOWN PROCEDURES, ADDING THE FOLLOWING STEPS.**

- After disconnecting the water supply, and before disconnecting the high-pressure hose, turn the pressure cleaner on for **2-3 seconds**, until any remaining water in the pump exits. **TURN UNIT OFF IMMEDIATELY.**

**WARNING: CONTINUED USE OF THE PRESSURE CLEANER WITHOUT WATER SUPPLY ATTACHED WILL CAUSE SEVERE DAMAGE TO THE UNIT!**

- Always store the pressure cleaner, parts, and accessories in an area with a temperature above 0°C (32°F).

**WARNING: FAILURE TO COMPLY WITH THESE STORAGE INSTRUCTIONS WILL RESULT IN DAMAGE TO THE PUMP ASSEMBLY.**

### Maintenance

- This pressure cleaner is supplied with a closed lubrication system, so no addition of oil is needed.
- Check all hoses and accessories for damage prior to use.
- Check the inlet filter periodically for deposits. Clean this filter regularly for maximum performance.

### CLEANING TIPS

**WARNING: ALWAYS TEST THE SPRAY IN AN AREA FREE AND CLEAR OF PEOPLE AND OBJECTS BEFORE YOU SPRAY AT THE INTENDED CLEANING SURFACE.**

### **Wood and Vinyl Decks**

Rinse deck and surrounding area with fresh water. If using detergent, fill the detergent reservoir and apply to the area being cleaned at low pressure. For optimal results, reduce your work area to smaller sections and clean each section one at a time. Allow the detergent to rest on the surface for a few minutes and then rinse at high pressure. **DO NOT LET THE CLEANSER DRY.** Always clean from left to right and top to bottom for best results. Rinse at high pressure **using the fan spray** keeping the tip of the spray nozzle at least 6-9 inches from the cleaning surface. Maintain a further distance from the cleaning area when using a direct spray.

**Caution: For softer woods, increase the distance from the cleaning area.**

### **Cement Patios, Stone, and Brick**

Rinse cleaning and surrounding area with fresh water. If using detergent, fill the detergent reservoir and apply to the area being cleaned at low pressure. Rinse at high pressure **using the fan spray** in a sweeping motion keeping the tip of the spray nozzle at least 3-6 inches from the cleaning surface. Maintain a further distance from the cleaning area when using a direct spray.

### **Cars, Boats, and Motorcycles**

Rinse cleaning and surrounding area with fresh water. If using detergent, fill the detergent reservoir and apply to the area being cleaned at low pressure. To achieve the best results, clean one side at a time. Allow the detergent to rest on the surface for a few minutes, but do not let the detergent dry. Rinse at high pressure **using the fan spray** in a sweeping motion keeping the tip of the spray nozzle at least 8 inches from the cleaning surface. Maintain a further distance from the cleaning area when using a direct spray. Wipe surface dry for a polished finish.

### **Barbecue Grills, Power Equipment, and Garden Tools**

Rinse cleaning and surrounding area with fresh water. If using detergent, fill the detergent reservoir and apply to the area being cleaned at low pressure. Allow the detergent to rest on the surface for a few minutes, but do not let the detergent dry. Rinse at high pressure **using the fan spray** keeping the tip of the spray nozzle at least 1-3 inches from the cleaning surface. Maintain a further distance from the cleaning area when using a direct spray.

## 7. TROUBLESHOOTING

This troubleshooting guide can help you solving a problem that occurred on the machine. If you can't solve the problem, please contact directly the customer service.

Problems	Causes	Possible solutions
<b>WHEN THE SWITCH IS IN THE "I" POSITION THE MACHINE WILL NOT START</b>	Electrical socket is faulty	Check plug, socket, fuses
	Voltage is inadequate	Check whether the voltage is adequate
	Power cord is not plugged in	Plug in power cord
<b>THE PUMP DOES NOT REACH ADEQUATE PRESSURE OR FLUCTUATES</b>	Water inlet filter is clogged	Remove and clean filter
	Pump is drawing air	Tighten connections/bleed system
	Suction valves are clogged/worn	Clean or replace valves
	Diameter of garden hose too small	Replace with ¾ inch garden hose
	Water supply is restricted	Check hose for kinks or leaks
	Insufficient water supply	Fully open water source
<b>THE PRESSURE CLEANER HAS OR WILL NOT MAINTAIN PRESSURE</b>	Excessive air in waterline and pump	Turn unit and water supply off/ Bleed system/ Hold trigger down
<b>THE PRESSURE CLEANER MAKES EXCESSIVE NOISE</b>	Intake is blocked	Check the intake valves
	Valves are worn, dirty, or clogged	Check, clean or replace valves
	Filter is dirty	Check, clean, or replace filter
<b>THE MOTOR STOPS RUNNING WHILE IN USE</b>	Net voltage lower than suggested	Check whether the voltage is adequate

## 8. DISPOSAL



Electrical products should not be disposed of with household products. According to the European Directive 2012/19/EU for electrical and electronic equipment waste and its implementation in national law, used electrical products should be collected separately and disposed of at collection points provided for this purpose. Consult with your local authorities or your dealer for advice on recycling.

## 9. DECLARATION OF CONFORMITY



**BUILDER SAS**

**32 rue Aristide Bergès - Z.I. du Casque - 31270 Cugnaux - France**

**Declares that the machine designated below**

**ELECTRIC HIGH PRESSURE WASHER**

**HPW130**

Serial number: 20240318280-20240318829

**Is in conformity with the provisions of the Machinery Directive 2006/42/EC and to the national regulations transposing it.**

**Also complies with the provisions of the following European Directives:**

EMC Directive 2014/30/EU

Directive ROHS 2011/65/EU and its amending (EU)2015/863

**Also complies with European and national standards and the following technical provisions:**

EN 60335-1: 2012/A15:2021

EN 60335-2-79: 2012

EN 62233: 2008

EN IEC 55014-1: 2021

EN IEC 55014-2: 2021

EN IEC 61000-3-2: 2019/A1:2021

EN 61000-3-3:2013/A2:2021

Cugnaux on 19/02/2024

Philippe MARIE / CEO

## 10. WARRANTY

The manufacturer guarantees the product against defects in material and workmanship for a period of 2 years from the date of the original purchase. It can be extended by one year if the user subscribes to website of myswap. The warranty only applies if the product is for household use. The warranty does not cover breakdowns due to normal wear and tear.

The manufacturer agrees to replace parts identified as defective by the designated distributor. The manufacturer does not accept responsibility for the replacement of the machine, in whole or in part, and/or ensuing damage.

### **The warranty does not cover breakdowns due to:**

- insufficient maintenance.
- abnormal assembly, adjustment or operations of the product.
- parts subject to normal wear and tear.

### **The warranty does not extend to:**

- shipping and packaging costs.
- using the tool for a purpose other than that for which it was designed.
- the use and maintenance of the machine done in a manner not described in the user manual.

Due to our policy of continuous product improvement, we reserve the right to alter or change specifications without notice. Consequently, the product may be different from the information contained therein, but a modification will be undertaken without notice if it is recognized as an improvement of the preceding characteristic.

### **READ THE MANUAL CAREFULLY BEFORE USING THE MACHINE.**

When ordering spare parts, please indicate the part number or code, you can find this in the spare parts list in this manual. Keep the purchase receipt; without it, the warranty is invalid. To help you with your product, we invite you to contact us by phone or via our website:

**+33 (0)9.70.75.30.30**

**<https://services.swap-europe.com/contact>**

You must create a "ticket" via the web platform.

- Register or create your account.
- Indicate the reference of the tool.
- Choose the subject of your request.
- Describe your problem.

Attach these files: invoice or sales receipt, photo of the identification plate (serial number), photo of the part you need (for example: pins on the transformer plug which are broken).



# 11. PRODUCT FAILURE

## WHAT TO DO IF MY MACHINE BREAKS DOWN?

### If you bought your product in a store:

- Make sure that your machine is complete with all accessories supplied, and clean! If this is not the case, the repairer will refuse the machine.
- Go to the store with the complete machine and with the receipt or invoice.

### If you bought your product on a website:

- Make sure that your machine is complete with all accessories supplied, and clean! If this is not the case, the repairer will refuse the machine.
- Create a SWAP-Europe service ticket on the site: <https://services.swap-europe.com> When making the request on SWAP-Europe, you must attach the invoice and the photo of the nameplate (serial number).

Contact the repair station to make sure it is available before dropping off the machine.

Go to the repair station with the complete machine packed, accompanied by the purchase invoice and the station support sheet downloadable after the service request is completed on the SWAP-Europe site

**Please keep your original packaging to allow for after-sales service returns or pack your machine with a similar cardboard box of the same dimensions.**

**For any question concerning our after-sales service you can make a request on our website <https://services.swap-europe.com>**

**Our hotline remains available at +33 (9) 70 75 30 30.**



## 12. WARRANTY EXCLUSIONS

### THE WARRANTY DOES NOT COVER:

- Start-up and setting up of the product.
- Damage resulting from normal wear and tear of the product.
- Damage resulting from improper use of the product.
- Damage resulting from assembly or start-up not in accordance with the user manual.
- Periodic and standard maintenance events.
- Actions of modification and dismantling that directly void the warranty.
- Products whose original authentication marking (brand, serial number) has been degraded, altered or withdrawn.
- Replacement of consumables.
- The use of non-original parts.
- Breakage of parts following impacts or projections.
- Accessories breakdowns.
- Defects and their consequences linked to any external cause.
- Loss of components and loss due to insufficient screwing.
- Cutting components and any damage related to the loosening of parts.
- Overload or overheating.
- Poor power supply quality: faulty voltage, voltage error, etc.
- Damages resulting from the deprivation of enjoyment of the product during the time necessary for repairs and more generally the costs related to the immobilization of the product.
- The costs of a second opinion established by a third party following an estimate by a SWAP-Europe repair station
- The use of a product which would show a defect or a breakage which was not the subject of an immediate report and/or repair with the services of SWAP-Europe.
- Deterioration linked to transport and storage\*.

\* In accordance with transport legislation, damage related to transport must be declared to carriers within 48 hours maximum after observation by registered letter with acknowledgement of receipt. This document is a supplement to your notice, a non-exhaustive list.

**Attention:** all orders must be checked in the presence of the delivery person. In case of refusal by the delivery person, it you must simply refuse the delivery and notify your refusal.

**Reminder:** the reserves do not exclude the notification by registered letter with acknowledgement within 72 hours.

**Information:**

Thermal devices must be wintered each season (service available on the SWAP-Europe site). Batteries must be charged before being stored.



# HYUNDAI

POWER PRODUCTS



GENUINE PRODUCT OF  
HYUNDAI CORPORATION

**For inquiries, please contact:**

BUILDER SAS

32 rue Aristide Bergès - Z.I. du Casque - 31270 Cugnaux - France

Tél.: +33(0)5.34.502.502 Fax.: +33(0)5.34.502.503

<http://www.hyundaipower-fr.com/>

Fabriqué en République Populaire de Chine(PRC)